



HEM

HYDRAULIC EXCAVATOR DRILLS



TEI ROCK DRILLS

PO BOX 1309, MONTROSE, CO 81402

(800) 777-3745 • (970) 249-1515 • www.teirockdrills.com

HEM SPECIFICATIONS

HEM350 WITH TE350 DRIFTER AND HCF11 FEED

HEM350R WITH RDS350 ROTARY AND HCF11 FEED

	U.S.	Metric	U.S.	Metric
Hydraulic Flow	35 GPM	132 LPM	25 GPM	95 LPM
Hydraulic Pressure	2250 PSI	155 bar	2500 PSI	172 bar
Hole Size	1.375" to 3.0"	35 mm to 76 mm	2.75" to 8.0"	70 mm to 203 mm
Total Length	16 feet	4.9 meters	16 feet	4.9 meters
Drill Travel	10.5 feet	3.2 meters	10.5 feet	3.2 meters
Pullback	7,350 lb/ft	2222 kg-f	7,350 lb/ft	2222 kg-f
Approx. Weight	3,290 lbs.	1,492 kgs.	3,175 lbs.	1,440 kgs.
Minimum Excavator Size	14 metric ton	14 ton	14 metric ton	14 ton

HEM550 WITH TE550 DRIFTER AND HCF11 FEED

HEM550R WITH RDS550 ROTARY AND HCF11 FEED

	U.S.	Metric	U.S.	Metric
Hydraulic Flow	45 GPM	170 LPM	40 GPM	152 LPM
Hydraulic Pressure	2500 PSI	172 bar	3000 PSI	207 bar
Hole Size	1.625" to 5.0"	42 mm to 127 mm	4.0" to 12.0"	102 mm to 305 mm
Total Length	16 feet	4.9 meters	16 feet	4.9 meters
Drill Travel	10.5 feet	3.2 meters	10.5 feet	3.2 meters
Pullback	7,350 lb/ft	2222 kg-f	7,350 lb/ft	2222 kg-f
Approx. Weight	3,750 lbs.	1,700 kgs.	4,800 lbs.	2,177 kgs.
Minimum Excavator Size	20 metric ton	20 ton	20 metric ton	20 ton

HEM1000 WITH RDSH1000 ROTARY AND HCFH12 FEED

	U.S.	Metric
Hydraulic Flow	45 GPM	170 LPM
Hydraulic Pressure	3000 PSI	207 bar
Hole Size	5.0" to 22.0"	127 mm to 558 mm
Total Length	17 feet	5.2 meters
Drill Travel	10.5 feet	3.2 meters
Pullback	12,000 lb/ft	5,443 kg-f
Approx. Weight	5,750 lbs.	2,600 kgs.
Minimum Excavator Size	30 metric ton	30 ton

ALL ATTACHMENT CARRIERS MUST BE PLUMBED WITH LOW PRESSURE RETURN AUXILIARY HYDRAULICS. AN ADDITIONAL HYDRAULIC OIL COOLER IS RECOMMENDED FOR PRODUCTION DRILLING. SPECIFICATIONS SUBJECT TO CHANGE WITHOUT NOTICE.



TEI GROUT SWIVEL FOR HOLLOW BARS



HEM INSTALLING HOLLOW BARS



**HEM IN ENGLAND
WITH NEW SAFETY COVER**



TE550 AND HP360 POSITIONER

The **HEM (Hydraulic Excavator Mount)** is by far the most popular drilling attachment manufactured at TEI Rock Drills. The excavator provides a very stable drill platform with excellent reach and positioning of the drill mast. Today's modern excavators make it possible to use the 350 series of drifters up to some of the EuroDrill drifters and double rotary heads. With so many possibilities it's easy to see why so many civil and blasting contractors choose TEI's HEM line to get the job done. By looking at these photos you can see the unlimited possibilities with the HEM. Contact your TEI representative to help configure an excavator-mounted drill for your needs.



HEM550R ON BRITISH M1



HEM INSTALLING HOLLOW BAR SOIL NAILS



HEM RADIO CONTROLLER



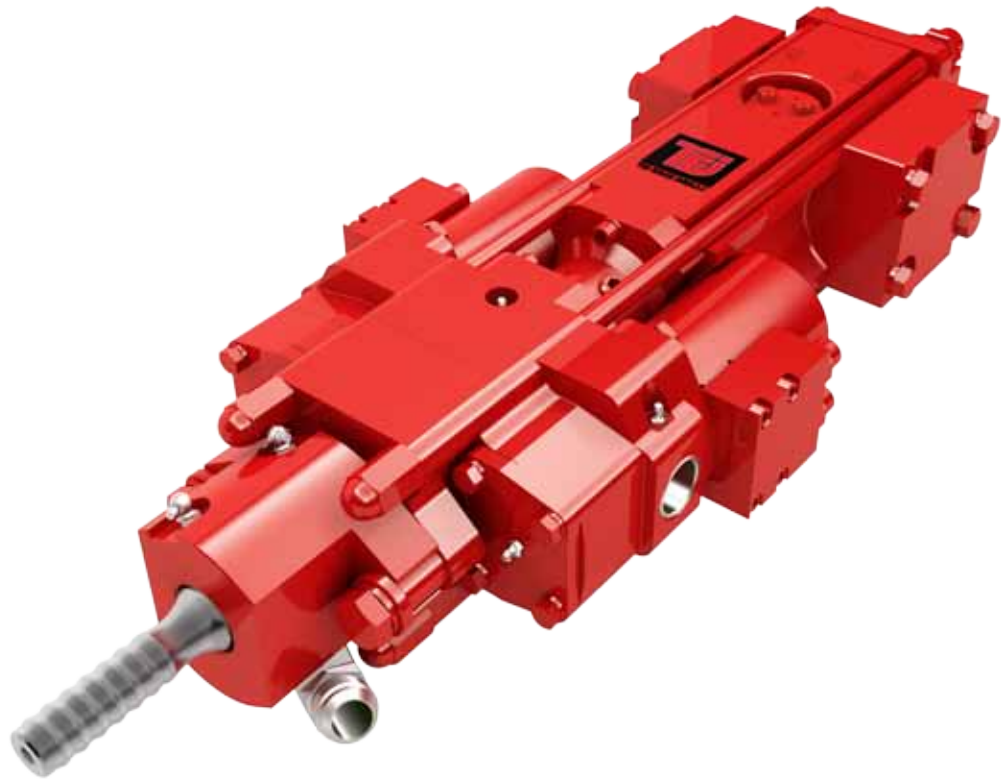
RADIO TRANSMITTER



CONTROL BOX WITH RADIO RECEIVER



HEM1000 DRILLING 24" HOLES



TE350

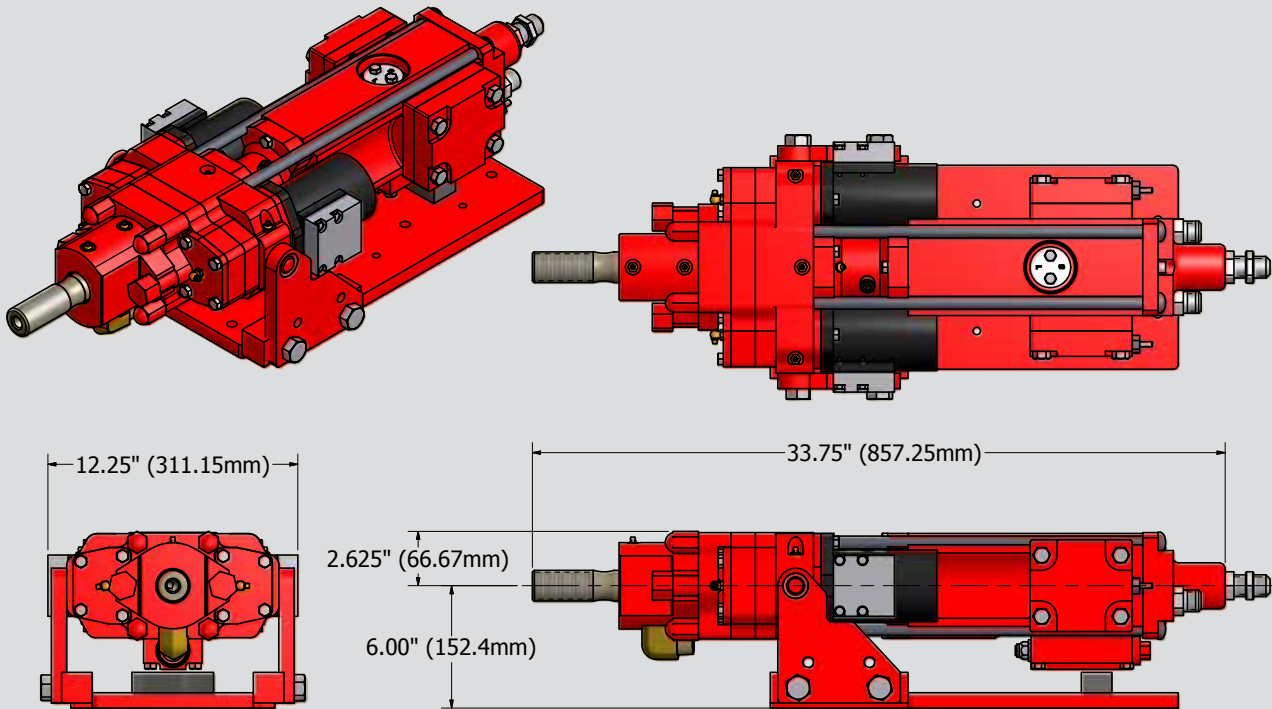
HYDRAULIC DRIFTER



TEI ROCK DRILLS

PO BOX 1309, MONTROSE, CO 81402

(800) 777-3745 • (970) 249-1515 • www.teirockdrills.com



	U.S.	Metric
Impact Energy	90-120 ft/lbs	122-163 joules
Impact Frequency	3400-4200 BPM	3400-4200 BPM
Supply Pressure	2250 PSI	155 bar
Percussion Flow	20 GPM	76 LPM
Output Power	12.4 HP	9.22 kW
Rotation Torque	1800 ft/lbs	240 daNm
Rotation Speed	Up to 250 RPM	Up to 250 RPM
Rotation Flow	10 GPM	38 LPM
Weight	210 Lbs	98 Kg
Shanks Available	1.0 Rope, 1.25 Rope, 1.50 Rope, T38, Williams 32, Williams 38, Titan 30, Titan 40	

Used on the PCF or HCF feed system.